

# Sanitary & Industrial Hand Nozzles

## DM-85HFR Series Hand Nozzles

For Sanitary and Industrial Duty Transfer  
For Industrial Pump and *Gravity* Dispensing

### Materials of Construction:

Polypropylene, Stainless or Hastelloy, Viton or EPDM



DM-85HFR Series Industrial Nozzles

### Benefits...

- ➔ Increased environment safety with careful fluid control
- ➔ Fine gravity or pressure dispensing of most liquids
- ➔ Prevent spillage during critical transfer operations
- ➔ Simplify liquid repacking into smaller or larger containers



DM-85HFR Series Sanitary Nozzles

## Applications

Used for pump, process equipment or pressure transfer of sanitary (food grade) or industrial liquids, chemicals, ingredients, or gravity transfer from drums, tanks, vats, day-tanks and reservoirs. Useful for bulk repacking into smaller containers, and many other applications.

**Six Models**      **Description** Choice of one hose barb size, [Part No. Extension: 1/2"=12, 3/4"=34, or 1"=100]

### Industrial Duty Hand Nozzles

**DM-85HFR/SV** \_\_ " High chemical resistance for all liquids compatible with polypropylene, stainless, Viton  
**DM-85HFR/SE** \_\_ " High chemical resistance for all liquids compatible with polypropylene, stainless, EPDM  
**DM-85HFR/HV** \_\_ " Best chemical resistance for all liquids compatible with polypropylene, Hastelloy, Viton  
**DM-85HFR/HE** \_\_ " Best chemical resistance for all liquids compatible with polypropylene, Hastelloy, EPDM

### Sanitary (FG) Hand Nozzles

**DM-85HFR/FG-SV** \_\_ " For dispensing sanitary liquids compatible with Food Grade polypropylene, stainless, Viton  
**DM-85HFR/FG-HV** \_\_ " For dispensing sanitary liquids compatible with Food Grade polypropylene, Hastelloy, Viton

## Specifications - All Models

**Liquid Flow Range:** 0 - 20 Gpm, (0-75.7 Lpm)  
**Pressure Capacity:** 0 - 29 Psi., (199.95 kPa) (see Flow Chart on reverse side)  
**Temperature Range:** 32° to 125° F (0° – 51.7° C)  
**Spout Dimensions:** 0.725" ID, 0.960" OD", 1.00" Lip OD, Length, 4.50"  
**Hose Barb Sizes:** 1/2", 3/4", 1.0" OD

## Accessories

## Product code

## Description

<b>Spare Hose Barbs:</b>	DM-85HBA/V_" DM-85HBA/E_"	Viton hose barb assembly, specify 1/2", 3/4", or 1.0" size EPDM hose barb assembly, specify 1/2", 3/4", or 1.0" size
<b>O-ring Service Kits:</b>	DM-85HFR/RKV DM-85HFR/RKE	Viton Service Kit, set of 4 o-rings, for all nozzle models EPDM Service Kit, set of 4 o-rings, for all nozzle models
<b>Drip Prevention Cap</b>	DM-85NDC	Spout drip cap, helps prevent residue drips, Disposable, vinyl
<b>Dispensing Hose:</b>	DM-100PPH/PVC DM-85CDH/A34 DM-85CDH/CL34 DM-85PDH/A	Food Grade hose, Heavy Duty, Nylon reinforced, PVC, 1.0" ID Flexible polypropylene transfer hose, 3/4" ID x 3 ft., hose clamp Hose only, as above, but lengths to 50 feet in 1 ft. increments Flexible reinforced PVC hose, 3/4" ID x 3 ft., with hose clamp

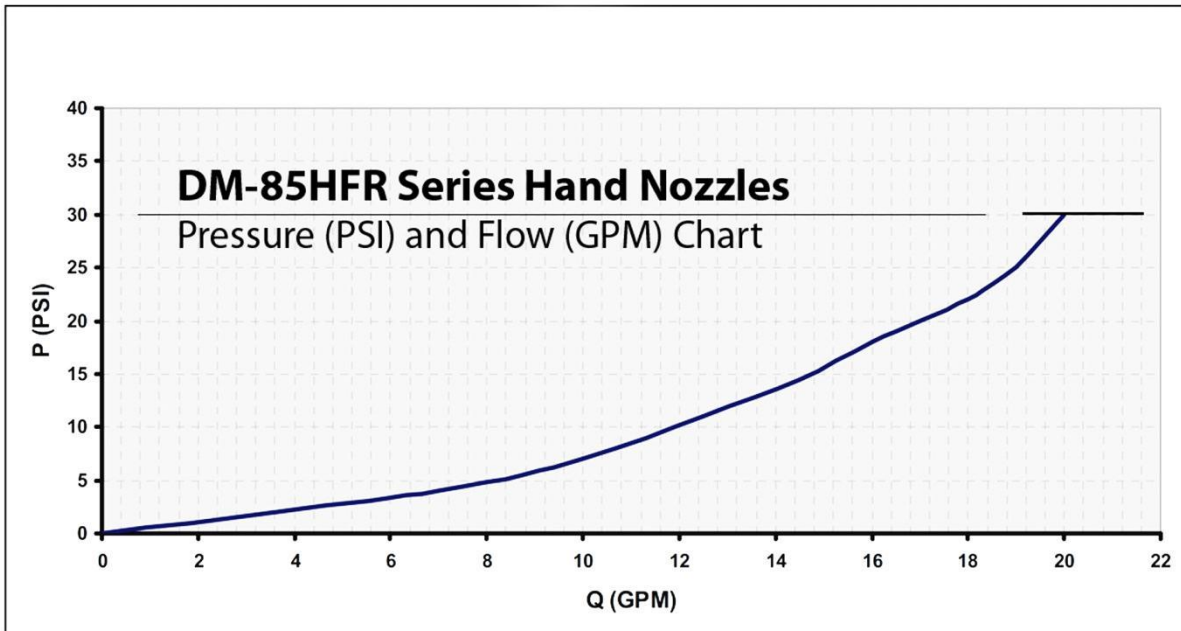
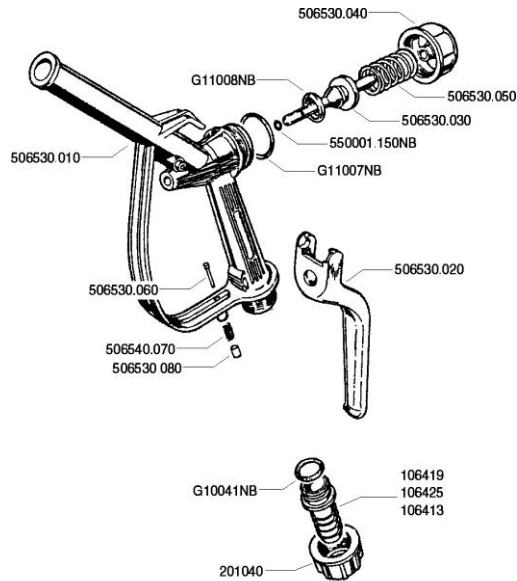
## Service Kit



## Spare Parts

### Nozzle Parts List

Part Number	Description
506530-010	Nozzle body
550001.150NB	O-ring, trigger plunger end
G11008NB	O-ring, trigger plunger base
G11007NB	O-ring, fly nut base
G10041NB	O-ring, hose barb
506530.020	Trigger handle
506530.050	Trigger spring, stainless steel
506530.070	Trigger spring, Hastelloy
506530.040	Plunger fly-nut
506530.030	Trigger plunger
2002040	Hose barb fly-nut
DM-85HBA/12 (106413)	Hose barb assembly, 1/2"
DM-85HBA/34 (106419)	Hose barb assembly, 3/4"
DM-85HBA/100 (106425)	Hose barb assembly, 1"



Copyright © 2013, DRUM-MATES, Inc., All Rights Reserved

\*Temperatures over 105° to 125°F not recommended without adequate safety gloves and other handling protection.

Ask for literature on DRUM-MATES® drum & tote mixers, drum tumblers, drum & tote pumps & hand nozzles.

DRUM-MATES® Inc., Process Equipment Div., T: 609-261-1033, F: 609-261-1034, E: info@drummates.com